

THIS DRAWING IS UNPUBLISHED.

RELEASED FOR PUBLICATION

ALL RIGHTS RESERVED.

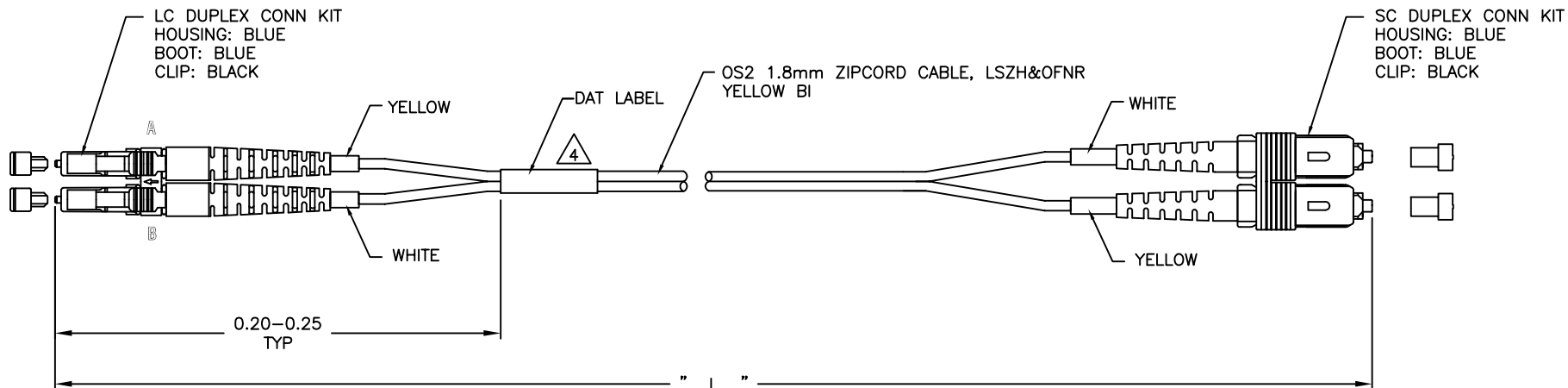
© COPYRIGHT - By -

LOC ES DIST 00

REVISIONS

P	LTR	DESCRIPTION	DATE	DWN	APVD
C		ECR-13-014661	25SEP2013	JC	AZ

PART NUMBER	"L" (METER) & TOLERANCE (METER)
X-2105032-Y	ACC. TO CUSTOMER DRAWING 1859590



NOTES:

- 1 INSERTION LOSS: (MEASURED AGAINST REF. CONN AT 1310nm AND 1550nm)  
 <=0.3dB (LC)  
 <=0.5dB (SC)
- 2 RETURN LOSS >= 50dB MATED AT 1310nm AND 1550nm
- 3 TEST DATA SHEET TO BE ENCLOSED WITH UNIT PACKAGE
- △ LABEL INFORMATION AS DETAIL.

LC (LEFT)	SC (RIGHT)
(A) YELLOW	WHITE
(B) WHITE	YELLOW

XXXXXXXXXXXXXXXXXX

x-2105032-y COO: China  
 LC-SC DPX OS2 1.8mm LSZH&OFNR "L" M

THIS DRAWING IS A CONTROLLED DOCUMENT.		DWN SHI BI YUN 23JUN09	<b>STE</b> TE Connectivity	
		CHK ALLEN GUMP 23JUN09		
DIMENSIONS: METER		APVD RICHARD ZHAO 23JUN09	NAME	
TOLERANCES UNLESS OTHERWISE SPECIFIED:		PRODUCT SPEC	LC TO SC 1.8mm OS2 DUPLEX, LSZH&OFNR	
0 PLC ± -		APPLICATION SPEC	-	
1 PLC ± -		WEIGHT	-	
2 PLC ± -		CUSTOMER DRAWING	SCALE NTS	SHEET 1 OF 1
3 PLC ± -			REV C	
4 PLC ± -				
4 PLC ANGLES ± -				
MATERIAL	FINISH	SIZE A3	CAGE CODE 00779	DRAWING NO C=2105032