

4

3

2

1

THIS DRAWING IS UNPUBLISHED.

RELEASED FOR PUBLICATION

ALL RIGHTS RESERVED.

© COPYRIGHT - By -

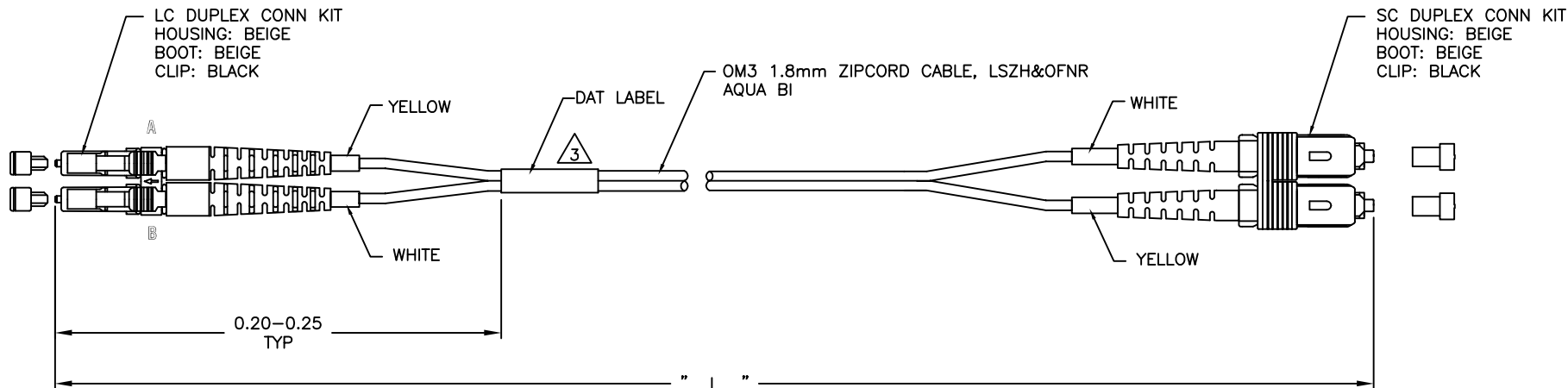
LOC ES DIST 00

REVISIONS

P	LTR	DESCRIPTION	DATE	DWN	APVD
C		ECR-13-014661	25SEP2013	JC	AZ

PART NUMBER "L" (METER) & TOLERANCE (METER)

X-2105031-Y ACC. TO CUSTOMER DRAWING 1859590



NOTES:

- 1 INSERTION LOSS $\leq 0.3\text{dB}$, \odot 850nm MEASURED AGAINST REF. CONN
- 2 TEST DATA SHEET TO BE ENCLOSED WITH UNIT PACKAGE
- \triangle LABEL INFORMATION AS BELOW DETAIL.

LC (LEFT)	SC (RIGHT)
(A) YELLOW	WHITE
(B) WHITE	YELLOW

XXXXXXXXXXXXXXXXXX

x-2105031-y COO: China

LC-SC DPX OM3 1.8mm LSZH&OFNR "L" M

THIS DRAWING IS A CONTROLLED DOCUMENT.		DWN SHI BI YUN 23JUN09	STE TE Connectivity	
		CHK ALLEN GUMP 23JUN09		
DIMENSIONS: METER		APVD RICHARD ZHAO 23JUN09	NAME LC TO SC 1.8mm OM3 DUPLEX, LSZH&OFNR	
TOLERANCES UNLESS OTHERWISE SPECIFIED:		PRODUCT SPEC	-	
0 PLC ± -		APPLICATION SPEC	-	
1 PLC ± -		WEIGHT	-	
2 PLC ± -		CUSTOMER DRAWING	SIZE A3	CAGE CODE 00779
3 PLC ± -			DRAWING NO C=2105031	
4 PLC ± -			RESTRICTED TO	
4 PLC ANGLES ± -			SCALE NTS	SHEET 1 OF 1
MATERIAL - FINISH -			REV C	