

THIS DRAWING IS UNPUBLISHED.

RELEASED FOR PUBLICATION

ALL RIGHTS RESERVED.

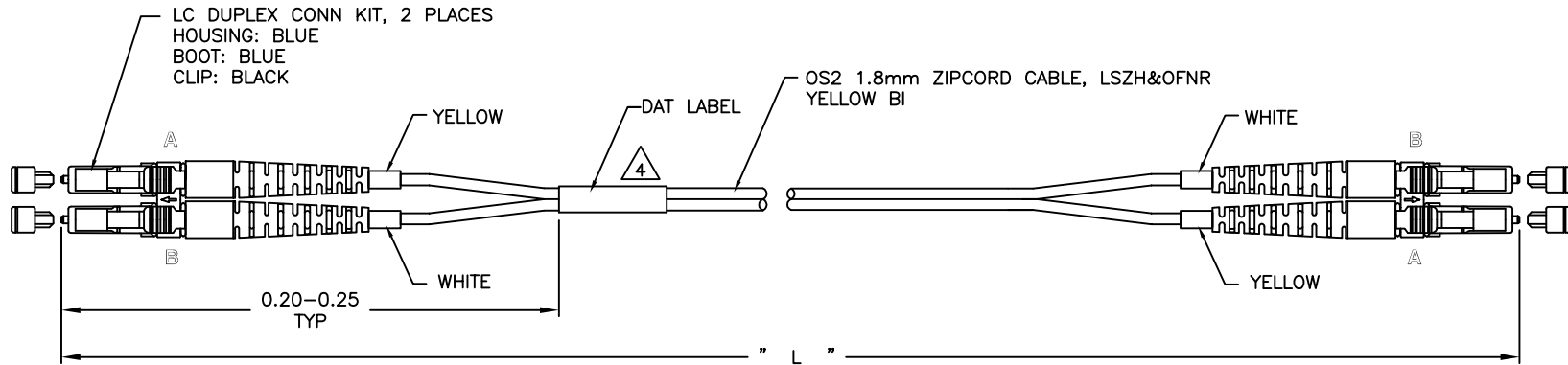
© COPYRIGHT - By -

LOC ES DIST 00

REVISIONS

P	LTR	DESCRIPTION	DATE	DWN	APVD
D1		ECR-13-017371	13NOV2013	JC	AZ

PART NUMBER	"L" (METER) & TOLERANCE (METER)
X-2105028-Y	ACC. TO CUSTOMER DRAWING 1859590




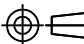
NOTES:

- 1 INSERTION LOSS ≤ 0.3 dB AGAINST REF. CONN AT 1310 nm AND 1550 nm
连接器插入损耗 ≤ 0.3 dB.
- 2 RETURN LOSS ≥ 50 dB MATED AT 1310 nm AND 1550 nm
回波损耗 ≥ 50 dB.
- 3 TEST DATA SHEET TO BE ENCLOSED WITH UNIT PACKAGE
测试数据纸放入每个产品的包装中.

△ LABEL INFORMATION AS BELOW DETAIL
标签信息如下

 xxxxxxxxxxxxxxxxxxxx	
x-2105028-y	COO: China
LC-LC DPX OS2 1.8mm LSZH&OFNR "L" M	

LC (LEFT)	LC (RIGHT)
(A) YELLOW	(B) WHITE
(B) WHITE	(A) YELLOW

THIS DRAWING IS A CONTROLLED DOCUMENT.		DWN SHI BI YUN 23JUN09	 TE Connectivity			
		CHK ALLEN GUMP 23JUN09				
DIMENSIONS: METER 		APVD RICHARD ZHAO 23JUN09	NAME LC TO LC 1.8mm OS2 DUPLEX, LSZH&OFNR			
TOLERANCES UNLESS OTHERWISE SPECIFIED: 0 PLC ± - 1 PLC ± - 2 PLC ± - 3 PLC ± - 4 PLC ± - ANGLES ± -		PRODUCT SPEC -	APPLICATION SPEC -			
MATERIAL -		WEIGHT -	SIZE A3	CAGE CODE 00779	DRAWING NO C=2105028	RESTRICTED TO -
CUSTOMER DRAWING			SCALE NTS	SHEET 1 OF 1	REV D1	