

4

3

2

1

THIS DRAWING IS UNPUBLISHED.

RELEASED FOR PUBLICATION

ALL RIGHTS RESERVED.

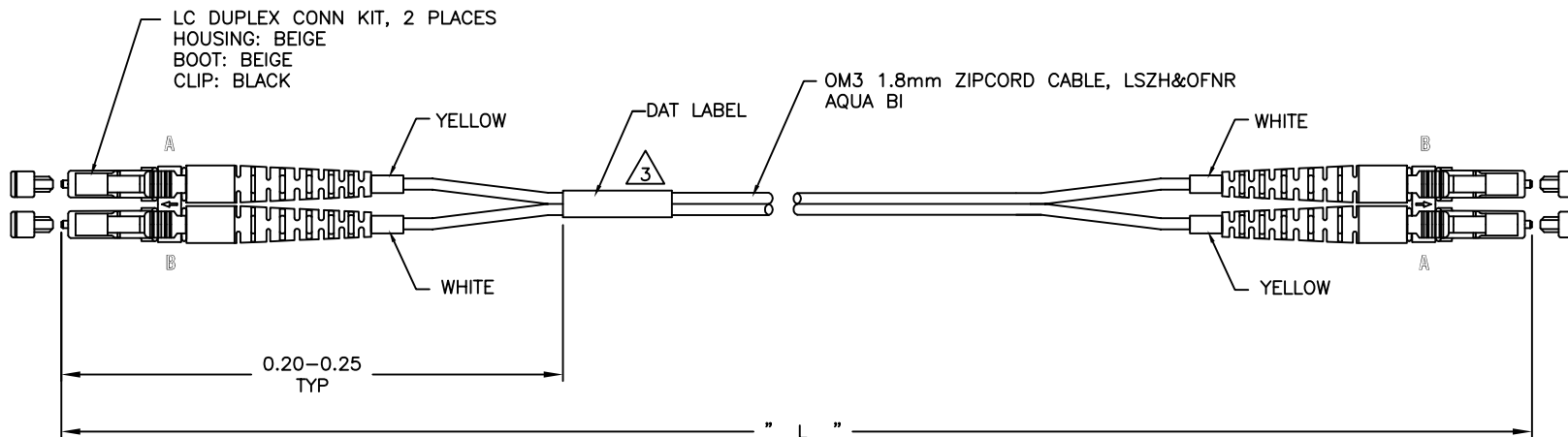
© COPYRIGHT - By -

LOC ES DIST 00

REVISIONS

P	LTR	DESCRIPTION	DATE	DWN	APVD
C		ECR-13-014661	18SEP2013	JC	AZ

PART NUMBER	"L" (METER) & TOLERANCE (METER)
X-2105027-Y	ACC. TO CUSTOMER DRAWING 1859590



NOTES:

- 1 INSERTION LOSS <= 0.3dB, @850nm MEASURED AGAINST REF. CONN
- 2 TEST DATA SHEET TO BE ENCLOSED WITH UNIT PACKAGE
- 3 LABEL INFORMATION AS BELOW DETAIL.

LC (LEFT)	LC (RIGHT)
(A) YELLOW	(B) WHITE
(B) WHITE	(A) YELLOW

XXXXXXXXXXXXXXXXXX

x-2105027-y COO: China
LC-LC DPX OM3 1.8mm LSZH&OFNR "L" M

THIS DRAWING IS A CONTROLLED DOCUMENT.		DWN SHI BI YUN 23JUN09	TE Te Connectivity	
		CHK ALLEN GUMP 23JUN09		
DIMENSIONS: METER		APVD RICHARD ZHAO 23JUN09	NAME LC TO LC 1.8mm OM3 DUPLEX, LSZH&OFNR	
TOLERANCES UNLESS OTHERWISE SPECIFIED:		PRODUCT SPEC	-	
0 PLC ± -		APPLICATION SPEC	-	
1 PLC ± -		WEIGHT	-	
2 PLC ± -		CUSTOMER DRAWING	SIZE A3	CAGE CODE 00779
3 PLC ± -			DRAWING NO C=2105027	
4 PLC ± -			RESTRICTED TO	
4 PLC ANGLES ± -			-	
MATERIAL			SCALE NTS	SHEET 1 OF 1
FINISH			REV C	