

4

3

2

1

THIS DRAWING IS UNPUBLISHED.

RELEASED FOR PUBLICATION

-, -

© COPYRIGHT - By -

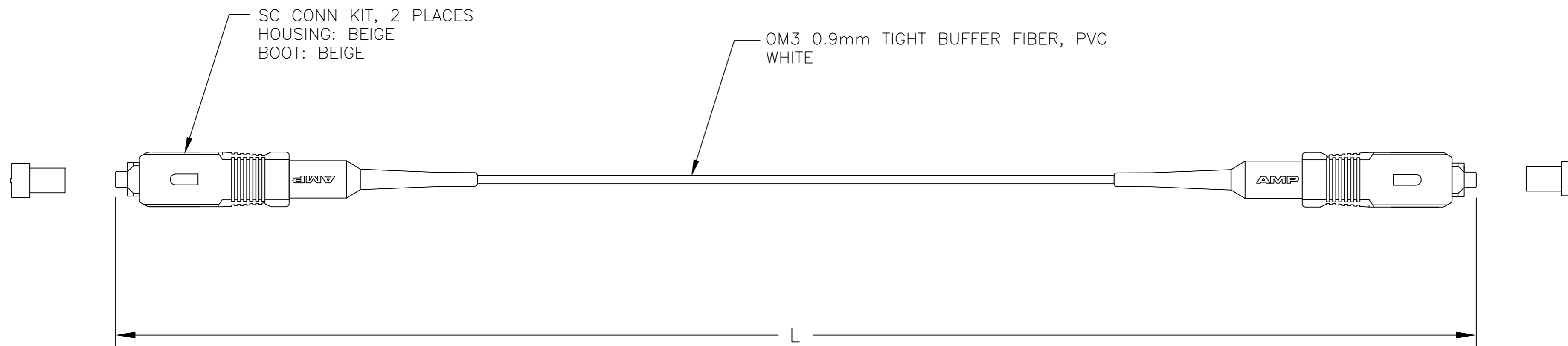
ALL RIGHTS RESERVED.

LOC ES DIST 00

REVISIONS

P	LTR	DESCRIPTION	DATE	DWN	APVD
B		ECR-13-014661	25SEP13	LC	AZ


PART NUMBER	"L" (METER)	TOLERANCE (METER)
X-2105019-Y	PER 1859590	ACC. TO CUSTOMER DRAWING 1859590



NOTES:

1 INSERTION LOSS <=0.3dB, @850nm MEASUREED AGAINST REF. CONN


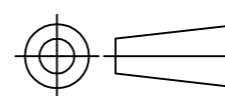
2 LABEL INFORMATION AS BELOW DETAIL.



XXXXXXXXXXXXXXXXXX

X-2105019-Y      COO: China

SC TO SC 0.9mm OM3 PVC "L" M

THIS DRAWING IS A CONTROLLED DOCUMENT.		DWN SHI BI YUN 10JUL09	 <b>TE Connectivity</b>		
DIMENSIONS: METER		CHK ALLEN GUMP 10JUL09			
		APVD RICHARD ZHAO 10JUL09			
		NAME SC TO SC 0.9mm OM3 PVC			
TOLERANCES UNLESS OTHERWISE SPECIFIED:		PRODUCT SPEC	RESTRICTED TO		
0 PLC ± -		APPLICATION SPEC	SIZE A3	CAGE CODE 00779	DRAWING NO C=2105019
1 PLC ± -		WEIGHT -	SCALE NTS		
2 PLC ± -		CUSTOMER DRAWING	SHEET 1 OF 1		
3 PLC ± -			REV B		
4 PLC ± -					
ANGLES ± -					
MATERIAL -					
FINISH -					