

4

3

2

1

THIS DRAWING IS UNPUBLISHED.

RELEASED FOR PUBLICATION

-, -

© COPYRIGHT - By -

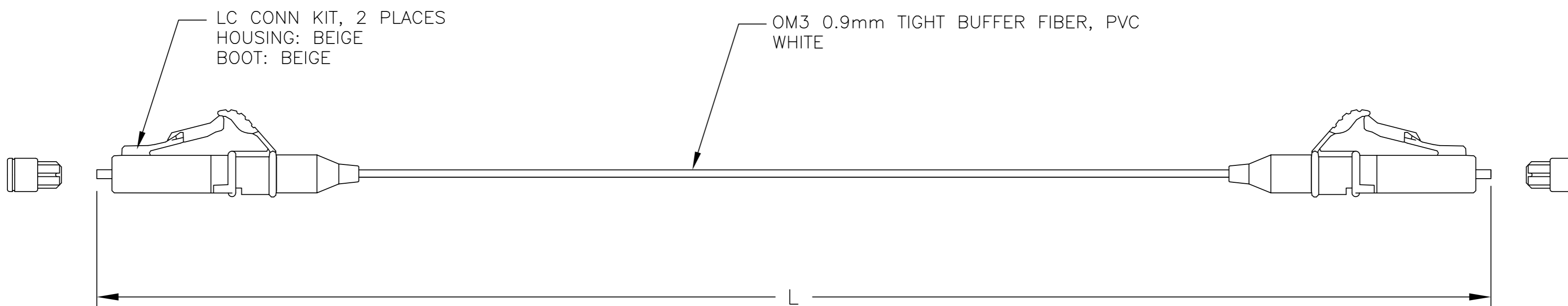
ALL RIGHTS RESERVED.

LOC ES DIST 00

REVISIONS

| P | LTR | DESCRIPTION | DATE | DWN | APVD |
|---|-----|---------------|---------|-----|------|
| B | | ECR-13-015655 | 14OCT13 | LC | AZ |


| PART NUMBER | "L" (METER) | TOLERANCE (METER) |
|-------------|-------------|----------------------------------|
| X-2105015-Y | PER 1859590 | ACC. TO CUSTOMER DRAWING 1859590 |



NOTES:

1 INSERTION LOSS <=0.3dB, @850nm MEASUREED AGAINST REF. CONN


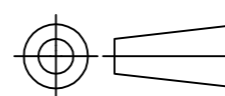
△ LABEL INFORMATION AS BELOW DETAIL



XXXXXXXXXXXXXXXXXX

X-2105015-Y COO: China

LC TO LC 0.9mm OM3 PVC "L"M

| | | | | |
|---|--|---------------------------|--|--------------|
| THIS DRAWING IS A CONTROLLED DOCUMENT. | | DWN SHI BI YUN 10JUL09 |  TE Connectivity | |
| DIMENSIONS: METER | | CHK ALLEN GUMP 10JUL09 | | |
|  | | APVD RICHARD ZHAO 10JUL09 | | |
| TOLERANCES UNLESS OTHERWISE SPECIFIED: | | NAME | LC TO LC 0.9mm OM3 PVC | |
| 0 PLC ± - | | PRODUCT SPEC | - | |
| 1 PLC ± - | | APPLICATION SPEC | - | |
| 2 PLC ± - | | SIZE | CAGE CODE | DRAWING NO |
| 3 PLC ± - | | --- | A3 | 00779 |
| 4 PLC ± - | | WEIGHT | ©=2105015 | |
| ANGLES ± - | | --- | RESTRICTED TO | |
| MATERIAL - | | FINISH - | - | |
| CUSTOMER DRAWING | | | SCALE NTS | SHEET 1 OF 1 |
| | | | REV B | |