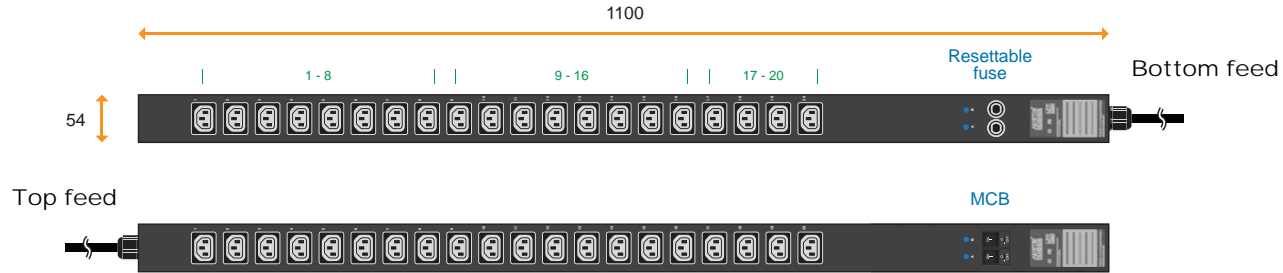


# 1-Phase Basic PDU specification drawing

230V 16A / 20A / 32A PDU : C13 x 20

unit : mm



PDU Feed	Code
Bottom	B
Top	T



32A model :	Circuit Protection
V20C13-32A/F_EN/3B-1	Resettable Fuse x 2
V20C13-32A/CR_EN/3T-1	1-pole MCB x 2

Input Rating : 32Amp, 230V  
Cordset : 3 meter 4.0mm sq. H05V V-F cordset  
Protection : 16A resettable fuse or 16A hydraulic MCB x 2  
Circuit A : Output 16A max., C13 #1-10  
Circuit B : Output 16A max., C13 #11-20  
Weight : Net 6.36 Kg / Gross 7.77 Kg

Chassis Color	Code
Black	1
White	2
Red	3
Blue	4
Green	5
Orange	6
Yellow	7
Purple	8

Standard color: Black



20A model :	Circuit Protection
V20C13-20A/F_OE/3B-1	Resettable Fuse x 1
V20C13-20A/CR_OE/3T-1	1-pole MCB x 1

Input Rating : 20Amp, 230V  
Cordset : 3 meter 2.5mm sq. H05V V-F cordset  
Protection : 20A resettable fuse or 20A hydraulic MCB x 1  
Circuit : Output 20A max., C13 #1-20  
Weight : Net 4.90 Kg / Gross 6.30 Kg



16A model :	Circuit Protection
V20C13-16A/F_EN/3B-1	Resettable Fuse x 1
V20C13-16A/CR_EN/3T-1	1-pole MCB x 1

Input Rating : 16Amp, 230V  
Cordset : 3 meter 1.5mm sq. H05V V-F cordset  
Protection : 16A resettable fuse or 16A hydraulic MCB x 1  
Circuit : Output 16A max., C13 #1-20  
Weight : Net 4.83 Kg / Gross 6.23 Kg



16A model :	Circuit Protection
V20C13-16A/F_C20/3B-1	Resettable Fuse x 1
V20C13-16A/CR_C20/3T-1	1-pole MCB x 1

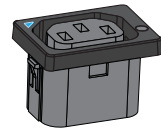
Input Rating : 16Amp, 230V  
Cordset : 3 meter 1.5mm sq. H05V V-F cordset  
Protection : 16A resettable fuse or 16A hydraulic MCB x 1  
Circuit : Output 16A max., C13 #1-20  
Weight : Net 4.75 Kg / Gross 6.16 Kg

Operating Temperature : -5 to 60 °C  
Storage Temperature : -25 to 65 °C  
Operating Altitude : 0 to 2,000 m  
Storage Altitude : 0 to 15,000 m  
Humidity : 8 to 95% RH, non-condensing

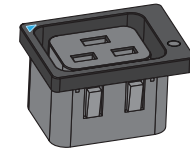
EMC Compliance : CE / EMC certified  
Safety Compliance : CE / LVD certified  
Environment Compliance : RoHS2 & REACH

## Lockable IEC Outlet

- Patented design for InfraPower PDU



**C13 Outlet**



**C19 Outlet**

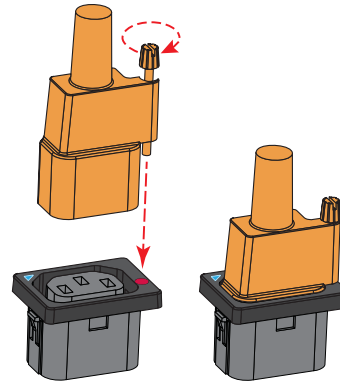
## Lockable IEC Cable

- Patented design of InfraPower PDU
- Low cost, easy to lock & secure
- Proprietary for lockable IEC outlet
- Applicable to standard IEC outlet
- 6 colors & 3 lengths available
- Custom color & length on request
- VDE & ENEC approval

### C13 - C14

H05VV-F 3G 0.75mm<sup>2</sup>

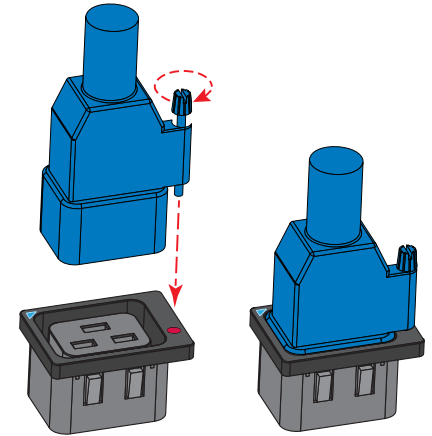
Cable Color	0.5M	1M	2M
Black	✓	✓	✓
Grey	✓	✓	✓
Red	✓	✓	✓
Blue	✓	✓	✓
Green	✓	✓	✓
Orange	✓	✓	✓



### C19 - C20

H05VV-F 3G 1.5mm<sup>2</sup>

Cable Color	1M	2M
Black	✓	✓
Grey	✓	✓
Red	✓	✓
Blue	✓	✓
Green	✓	✓
Orange	✓	✓

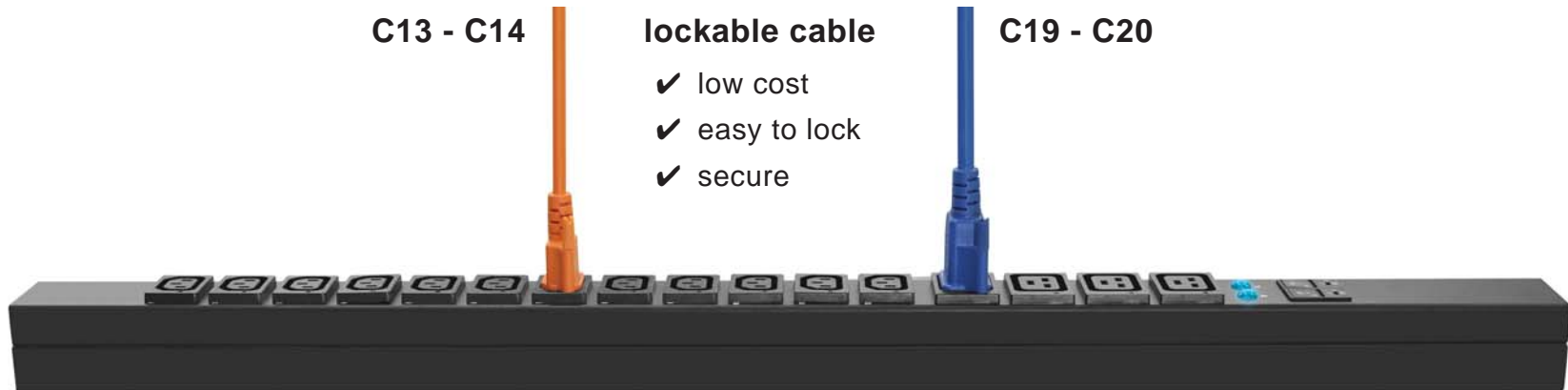


**C13 - C14**



**lockable cable**

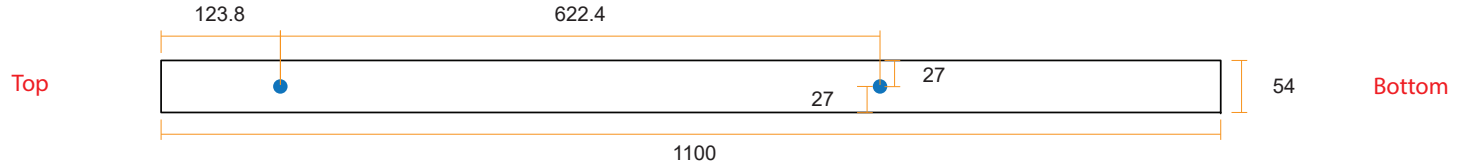
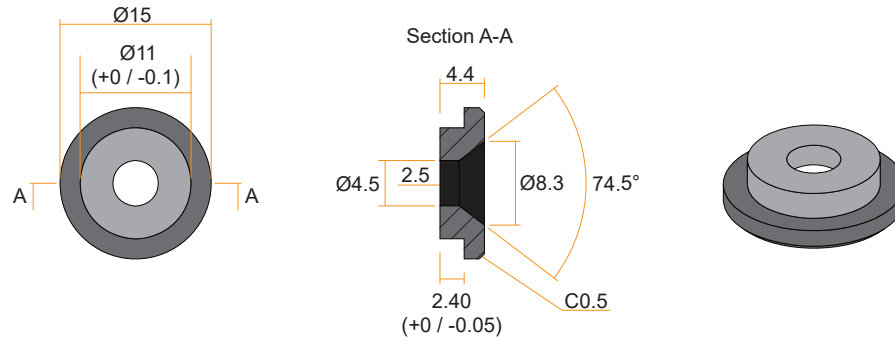
**C19 - C20**

- ✓ low cost
- ✓ easy to lock
- ✓ secure





### VMS Mounting Button

 **x 2** +  **x 2**  
**M4 Screw**  
 - Flat head  
 - M4x10mm  
**PEG**



### VMB Mounting Bracket

 **x 4** +  **x 2**  
**M3.2 Screw**  
 - Flat head  
 - M3.2x6mm  
**Bracket**

