

# 1-Phase Basic PDU specification drawing

230V 10A / 16A / 20A / 32A PDU : C13 x 12

unit : mm



Circuit Protection	Code
Fuse	<b>F</b>
MCB	<b>CR</b>



32A model :	Circuit Protection
V12C13-32A/ <b>F</b> _EN/3 <b>B</b> -1	Resettable Fuse x 2
V12C13-32A/ <b>CR</b> _EN/3 <b>T</b> -1	1-pole MCB x 2

Input Rating : 32Amp, 230V  
Cordset : 3 meter 4.0mm sq. H05V V-F cordset  
Protection : 16A resettable fuse or 16A hydraulic MCB x 2  
Circuit A : Output 16A max., C13 #1-6  
Circuit B : Output 16A max., C13 #7-12  
Weight : Net 6.21 Kg / Gross 7.45 Kg

PDU Feed	Code
Bottom	<b>B</b>
Top	<b>T</b>



20A model :	Circuit Protection
V12C13-20A/ <b>F</b> _OE/3 <b>B</b> -1	Resettable Fuse x 1
V12C13-20A/ <b>CR</b> _OE/3 <b>T</b> -1	1-pole MCB x 1

Input Rating : 20Amp, 230V  
Cordset : 3 meter 2.5mm sq. H05V V-F cordset  
Protection : 20A resettable fuse or 20A hydraulic MCB x 1  
Circuit : Output 20A max., C13 #1-12  
Weight : Net 4.74 Kg / Gross 5.98 Kg

Chassis Color	Code
Black	<b>1</b>
White	<b>2</b>
Red	<b>3</b>
Blue	<b>4</b>
Green	<b>5</b>
Orange	<b>6</b>
Yellow	<b>7</b>
Purple	<b>8</b>



16A model :	Circuit Protection
V12C13-16A/ <b>F</b> _EN/3 <b>B</b> -1	Resettable Fuse x 1
V12C13-16A/ <b>CR</b> _EN/3 <b>T</b> -1	1-pole MCB x 1

Input Rating : 16Amp, 230V  
Cordset : 3 meter 1.5mm sq. H05V V-F cordset  
Protection : 16A resettable fuse or 16A hydraulic MCB x 1  
Circuit : Output 16A max., C13 #1-12  
Weight : Net 4.67 Kg / Gross 5.91 Kg



16A model :	Circuit Protection
V12C13-16A/ <b>F</b> _C20/3 <b>B</b> -1	Resettable Fuse x 1
V12C13-16A/ <b>CR</b> _C20/3 <b>T</b> -1	1-pole MCB x 1

Input Rating : 16Amp, 230V  
Cordset : 3 meter 1.5mm sq. H05V V-F cordset  
Protection : 16A resettable fuse or 16A hydraulic MCB x 1  
Circuit : Output 16A max., C13 #1-12  
Weight : Net 4.60 Kg / Gross 5.84 Kg



10A model :	Circuit Protection
V12C13-10A/ <b>F</b> _C14/3 <b>B</b> -1	Resettable Fuse x 1
V12C13-10A/ <b>CR</b> _C14/3 <b>T</b> -1	1-pole MCB x 1

Input Rating : 10Amp, 230V  
Cordset : 3 meter 1.5mm sq. H05V V-F cordset  
Protection : 10A resettable fuse or 10A hydraulic MCB x 1  
Circuit : Output 10A max., C13 #1-12  
Weight : Net 4.58 Kg / Gross 5.82 Kg

Operating Temperature : -5 to 60 °C  
Storage Temperature : -25 to 65 °C  
Operating Altitude : 0 to 2,000 m  
Storage Altitude : 0 to 15,000 m  
Humidity : 8 to 95% RH, non-condensing

EMC Compliance : CE / EMC  
Safety Compliance : Tested to EN 62368-1:2014 / A11:2017 standard  
Tested to EN 60730-1:2016 / A1:2019 standard  
Environment Compliance : RoHS3 & REACH

## Lockable IEC Outlet

- Patented design for InfraPower PDU



**C13 Outlet**



**C19 Outlet**

## Lockable IEC Cable

- Patented design of InfraPower PDU
- Low cost, easy to lock & secure
- Proprietary for lockable IEC outlet
- Applicable to standard IEC outlet
- 6 colors & 3 lengths available
- Custom color & length on request
- VDE & ENEC approval

### C13 - C14

H05VV-F 3G 0.75mm<sup>2</sup>

Cable Color	0.5M	1M	2M
Black	✓	✓	✓
Grey	✓	✓	✓
Red	✓	✓	✓
Blue	✓	✓	✓
Green	✓	✓	✓
Orange	✓	✓	✓



### C19 - C20

H05VV-F 3G 1.5mm<sup>2</sup>

Cable Color	1M	2M
Black	✓	✓
Grey	✓	✓
Red	✓	✓
Blue	✓	✓
Green	✓	✓
Orange	✓	✓



**C13 - C14**

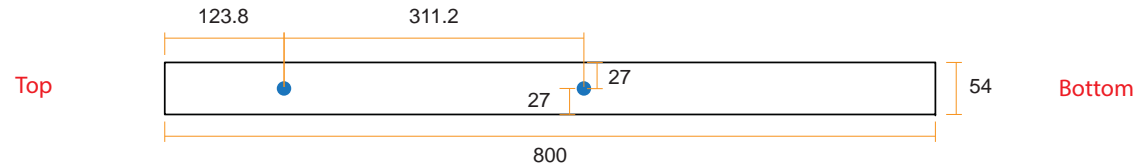
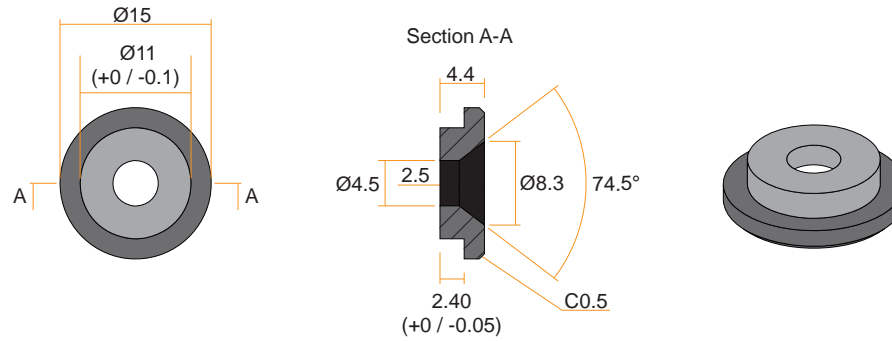
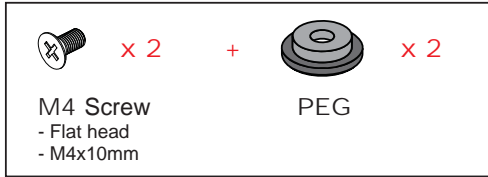
**lockable cable**

**C19 - C20**

- ✓ low cost
- ✓ easy to lock
- ✓ secure



### VMS Mounting Button



### VMB Mounting Bracket

