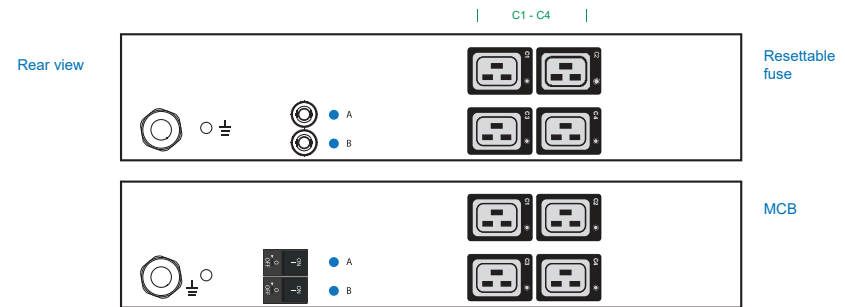
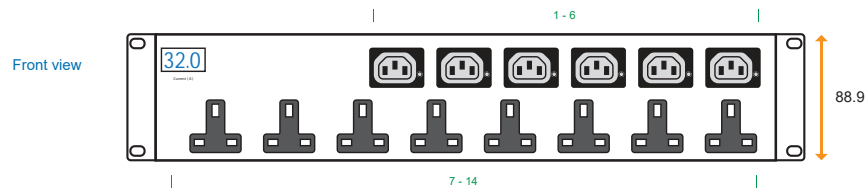


1-Phase Basic PDU specification drawing

230V 13A / 16A / 20A / 32A PDU : UK x 8 + C13 x 6 + C19 x 4

unit : mm



Circuit Protection	Code
Fuse	F
MCB	CR



IEC 60309 Inlet



Open end



IEC 60309 Inlet



IEC320 C20



BS1363 (fused)

Chassis Color	Code
Black	1
White	2
Red	3
Blue	4
Green	5
Orange	6
Yellow	7
Purple	8

Standard color: Black

Model	Circuit Protection
32A model :	Circuit Protection
H8UK90/6C13/4C19-32A/ F _EN/3B-1	Resettable Fuse x 2
H8UK90/6C13/4C19-32A/ CR _EN/3B-1	1-pole MCB x 2
20A model :	Circuit Protection
H8UK90/6C13/4C19-20A/ F _OE/3B-1	Resettable Fuse x 1
H8UK90/6C13/4C19-20A/ CR _OE/3B-1	1-pole MCB x 1
16A model :	Circuit Protection
H8UK90/6C13/4C19-16A/ F _EN/3B-1	Resettable Fuse x 1
H8UK90/6C13/4C19-16A/ CR _EN/3B-1	1-pole MCB x 1
16A model :	Circuit Protection
H8UK90/6C13/4C19-16A/ F _C20/3B-1	Resettable Fuse x 1
H8UK90/6C13/4C19-16A/ CR _C20/3B-1	1-pole MCB x 1
13A model :	Circuit Protection
H8UK90/6C13/4C19-13A/ F _BS/3B-1	Resettable Fuse x 1
H8UK90/6C13/4C19-13A/ CR _BS/3B-1	1-pole MCB x 1

Input Rating : 32Amp, 230V
Cordset : 3 meter 4.0mm sq. H05V V-F cordset
Protection : 16A resettable fuse or 16A hydraulic MCB x 2
Circuit A : Output 16A max., C13 #1-3 + UK #7-10 + C19 #C1-C2
Circuit B : Output 16A max., C13 #4-6 + UK #11-14 + C19 #C3-C4
Weight : -

Input Rating : 20Amp, 230V
Cordset : 3 meter 2.5mm sq. H05V V-F cordset
Protection : 20A resettable fuse or 20A hydraulic MCB x 1
Circuit : Output 20A max., C13 #1-6 + UK #7-14 + C19 #C1-C4
Weight : -

Input Rating : 16Amp, 230V
Cordset : 3 meter 1.5mm sq. H05V V-F cordset
Protection : 16A resettable fuse or 16A hydraulic MCB x 1
Circuit : Output 16A max., C13 #1-6 + UK #7-14 + C19 #C1-C4
Weight : -

Input Rating : 16Amp, 230V
Cordset : 3 meter 1.5mm sq. H05V V-F cordset
Protection : 16A resettable fuse or 16A hydraulic MCB x 1
Circuit : Output 16A max., C13 #1-6 + UK #7-14 + C19 #C1-C4
Weight : -

Input Rating : 13Amp, 230V
Cordset : 3 meter 1.5mm sq. H05V V-F cordset
Protection : 13A resettable fuse or 13A hydraulic MCB x 1
Circuit : Output 13A max., C13 #1-6 + UK #7-14 + C19 #C1-C4
Weight : -

Operating Temperature : -5 to 60 °C
Storage Temperature : -25 to 65 °C
Operating Altitude : 0 to 2,000 m
Storage Altitude : 0 to 15,000 m
Humidity : 8 to 95% RH, non-condensing

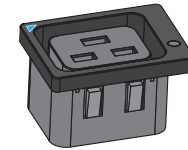
EMC Compliance : CE / EMC
Safety Compliance : Tested to EN 62368-1:2014 / A11:2017 standard
Tested to EN 60730-1:2016 / A1:2019 standard
Environment Compliance : RoHS3 & REACH

Lockable IEC Outlet

- Patented design for InfraPower PDU



C13 Outlet



C19 Outlet

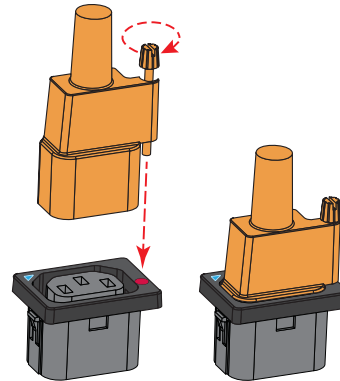
Lockable IEC Cable

- Patented design of InfraPower PDU
- Low cost, easy to lock & secure
- Proprietary for lockable IEC outlet
- Applicable to standard IEC outlet
- 6 colors & 3 lengths available
- Custom color & length on request
- VDE & ENEC approval

C13 - C14

H05VV-F 3G 0.75mm²

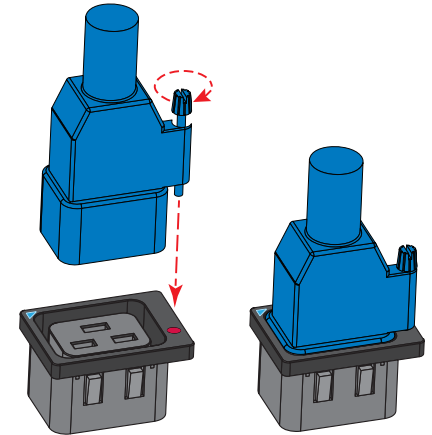
Cable Color	0.5M	1M	2M
Black	✓	✓	✓
Grey	✓	✓	✓
Red	✓	✓	✓
Blue	✓	✓	✓
Green	✓	✓	✓
Orange	✓	✓	✓



C19 - C20

H05VV-F 3G 1.5mm²

Cable Color	1M	2M
Black	✓	✓
Grey	✓	✓
Red	✓	✓
Blue	✓	✓
Green	✓	✓
Orange	✓	✓



C13 - C14



lockable cable

- ✓ low cost
- ✓ easy to lock
- ✓ secure



C19 - C20

