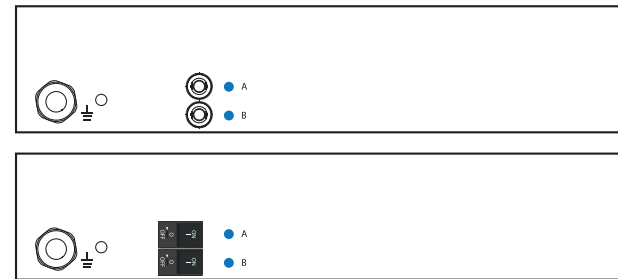


Rear view



Resettable fuse

MCB



IEC 60309 Inlet

32A model :	Circuit Protection
H24C13-32A/F_EN/3B-1	Resettable Fuse x 2
H24C13-32A/CR_EN/3B-1	1-pole MCB x 2

Input Rating : 32Amp, 230V  
Cordset : 3 meter 4.0mm sq. H05V V-F cordset  
Protection : 16A resettable fuse or 16A hydraulic MCB x 2  
Circuit A : Output 16A max., C13 #1-23 ( odd )  
Circuit B : Output 16A max., C13 #2-24 ( even )  
Weight : Net 5.23 Kg / Gross 5.56 Kg

Chassis Color	Code
Black	1
White	2
Red	3
Blue	4
Green	5
Orange	6
Yellow	7
Purple	8

Standard color : Black



Open end

20A model :	Circuit Protection
H24C13-20A/F_OE/3B-1	Resettable Fuse x 1
H24C13-20A/CR_OE/3B-1	1-pole MCB x 1

Input Rating : 20Amp, 230V  
Cordset : 3 meter 2.5mm sq. H05V V-F cordset  
Protection : 20A resettable fuse or 20A hydraulic MCB x 1  
Circuit : Output 20A max., C13 #1-24  
Weight : Net 3.77 Kg / Gross 4.10 Kg



IEC 60309 Inlet

16A model :	Circuit Protection
H24C13-16A/F_EN/3B-1	Resettable Fuse x 1
H24C13-16A/CR_EN/3B-1	1-pole MCB x 1

Input Rating : 16Amp, 230V  
Cordset : 3 meter 1.5mm sq. H05V V-F cordset  
Protection : 16A resettable fuse or 16A hydraulic MCB x 1  
Circuit : Output 16A max., C13 #1-24  
Weight : Net 3.70 Kg / Gross 4.03 Kg



IEC320 C20

16A model :	Circuit Protection
H24C13-16A/F_C20/3B-1	Resettable Fuse x 1
H24C13-16A/CR_C20/3B-1	1-pole MCB x 1

Input Rating : 16Amp, 230V  
Cordset : 3 meter 1.5mm sq. H05V V-F cordset  
Protection : 16A resettable fuse or 16A hydraulic MCB x 1  
Circuit : Output 16A max., C13 #1-24  
Weight : Net 3.62 Kg / Gross 3.95 Kg

Operating Temperature : -5 to 60 °C  
Storage Temperature : -25 to 65 °C  
Operating Altitude : 0 to 2,000 m  
Storage Altitude : 0 to 15,000 m  
Humidity : 8 to 95% RH, non-condensing

EMC Compliance : CE / EMC certified  
Safety Compliance : CE / LVD certified  
Environment Compliance : RoHS2 & REACH

## Lockable IEC Outlet

- Patented design for InfraPower PDU



**C13 Outlet**



**C19 Outlet**

## Lockable IEC Cable

- Patented design of InfraPower PDU
- Low cost, easy to lock & secure
- Proprietary for lockable IEC outlet
- Applicable to standard IEC outlet
- 6 colors & 3 lengths available
- Custom color & length on request
- VDE & ENEC approval

### C13 - C14

H05VV-F 3G 0.75mm<sup>2</sup>

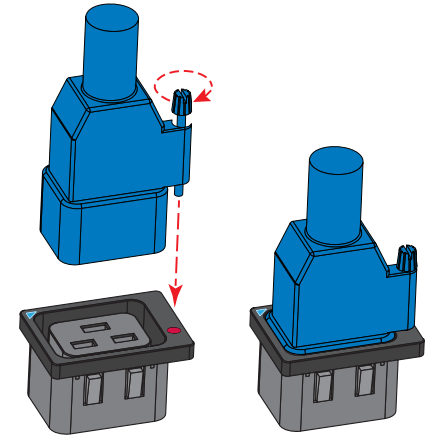
Cable Color	0.5M	1M	2M
Black	✓	✓	✓
Grey	✓	✓	✓
Red	✓	✓	✓
Blue	✓	✓	✓
Green	✓	✓	✓
Orange	✓	✓	✓



### C19 - C20

H05VV-F 3G 1.5mm<sup>2</sup>

Cable Color	1M	2M
Black	✓	✓
Grey	✓	✓
Red	✓	✓
Blue	✓	✓
Green	✓	✓
Orange	✓	✓



**C13 - C14**



**lockable cable**

- ✓ low cost
- ✓ easy to lock
- ✓ secure



**C19 - C20**

